



ALPHATRON  
Marine



# JLR-8400 / JLR-8600

Flexibility in a complete solution

[www.jrc.am](http://www.jrc.am)

# Features

Both JLR-8400 and JLR-8600 are reliable and accurate GPS navigators which carry the same JRC DNA with uniform design and intuitive, trusted operation. Combined with our new multi-GNSS sensor you are ensured of accurate positioning without compromise.



- High reliability
- Multi-GNSS sensor
- Up to 22 satellites trackable
- Intuitive and trusted operation
- Easy to install

- Flexible system configuration
- IMO approved
- Complete and compact
- High accuracy
- Remote maintenance possible



## JLR-8400

The compact JLR-8400 GPS navigator is compatible with Multi GNSS and will provide accurate position data even in Arctic area, without SBAS and beacon.

## JLR-8600

The new JLR-8600 GPS navigator combined with our trusted 6.5-inch touch display will locate your position with high accuracy utilizing our newly designed antenna, providing you with the comfort of an intuitive operational approach.



JLR-8600



JLR-8400

## In the box

### JLR-8400

- Display unit NWZ-4620
- GPS sensor JLR-4350

### JLR-8600

- Display unit NWZ-1650
- GPS sensor JLR-4350
- Processor NDC-4100

	JLR-8400	JLR-8600
<b>Units</b>	2	3
<b>Route sharing with LAN</b>	n/a	ECDIS/Radar/Navigation & communication systems
<b>Waypoint</b>	1,000	10,000
<b>Routes</b>	20 (50 waypoint/route)	100 (512 waypoint/route)
<b>Alarm log</b>	40	100



JLR-4350 (GPS)

# Multi-GNSS sensor

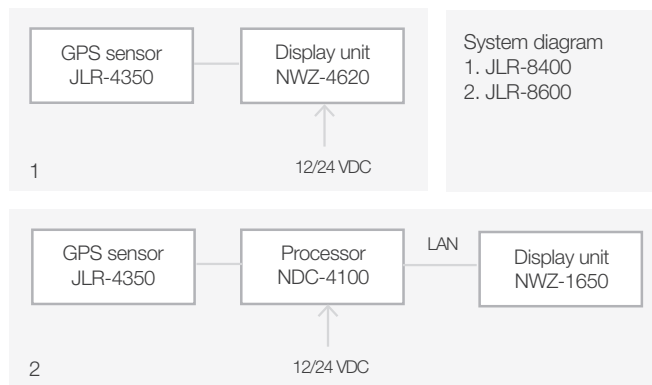
The newly designed multi-GNSS sensor is capable of receiving data from GPS as well as GLONASS, QZSS or BeiDou at the same time, allowing for a highly accurate positioning without beacon and SBAS. The sensor can increase the accuracy of your position by receiving SBAS correction data.

### Combination for multi-GNSS

- GPS stand alone
- GPS+SBAS
- GPS+QZSS
- GPS+GLONASS
- GPS+GLONASS+QZSS
- GPS+BeiDou
- GPS+BeiDou+QZSS

## Easy installation

Both displays are very compact and can virtually be mounted anywhere using the desktop flush mount system. The base of the sensor is designed for an easy installation, either on a pole or on a suitable bracket. The base also includes a slot allowing for easy cable management.



## Tech Specs

### Display unit RoHS

NWZ-4620 Weight 0,8 kg (1,76 lbs)



16,5 mm (0,65 in)    142 mm (5,59 in)    16,5 mm (0,65 in)

92 mm (3,62 in)

### Display unit RoHS \*Base kit is optional

NWZ-1650 Weight 1,5 kg (3,31 lbs)



20,5 mm (0,81 in)    160 mm (6,30 in)    20,5 mm (0,81 in)

69,5 mm (2,74 in)

### Processor RoHS

NDC-4100 Weight 1,9 kg (4,19 lbs)



264 mm (10,39 in)

100 mm (3,94 in)

### GPS sensor RoHS

JLR-4350 Weight 1,2 kg (2,65 lbs)



134 mm (5,28 in)

129 mm (5,08 in)



[www.jrc.am](http://www.jrc.am)

Centers of Excellence  
Houston, Rotterdam, Singapore, Tokyo